



# RIGID STRIP

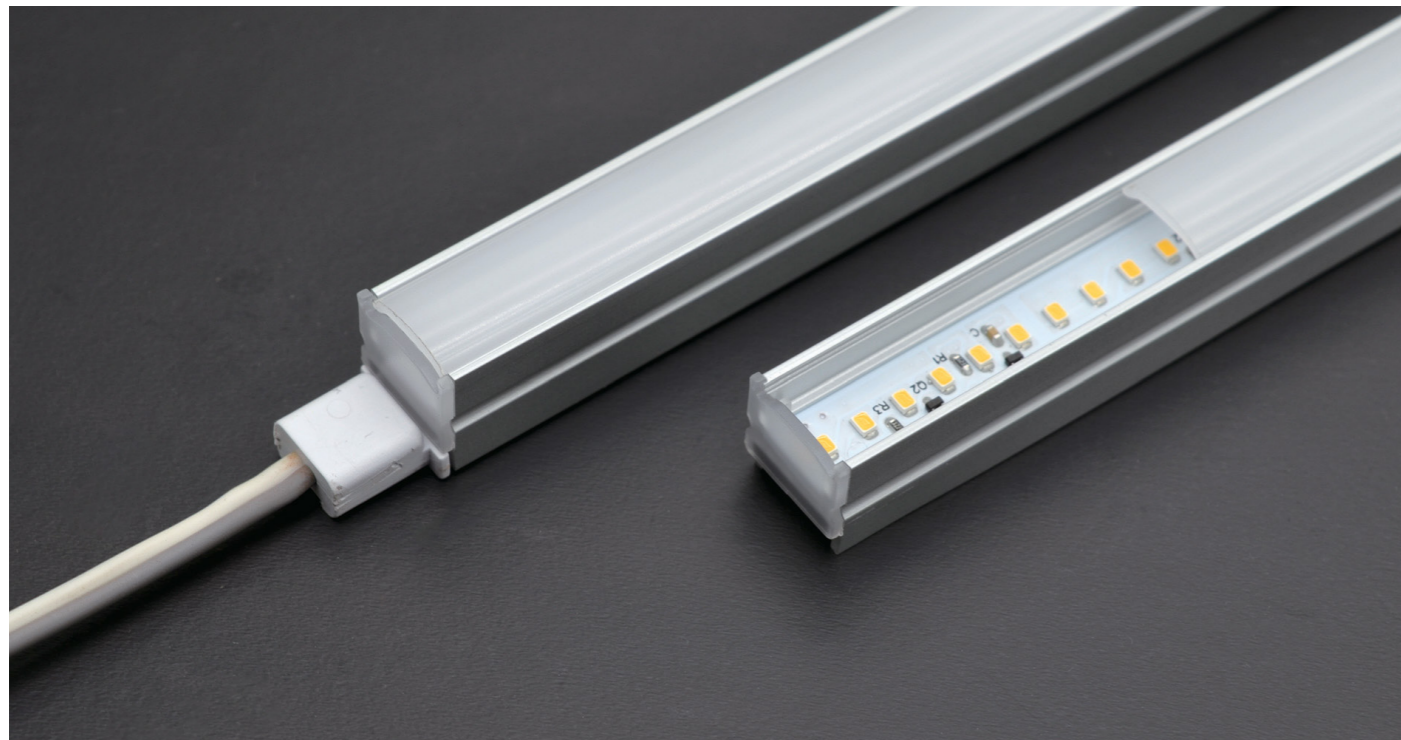
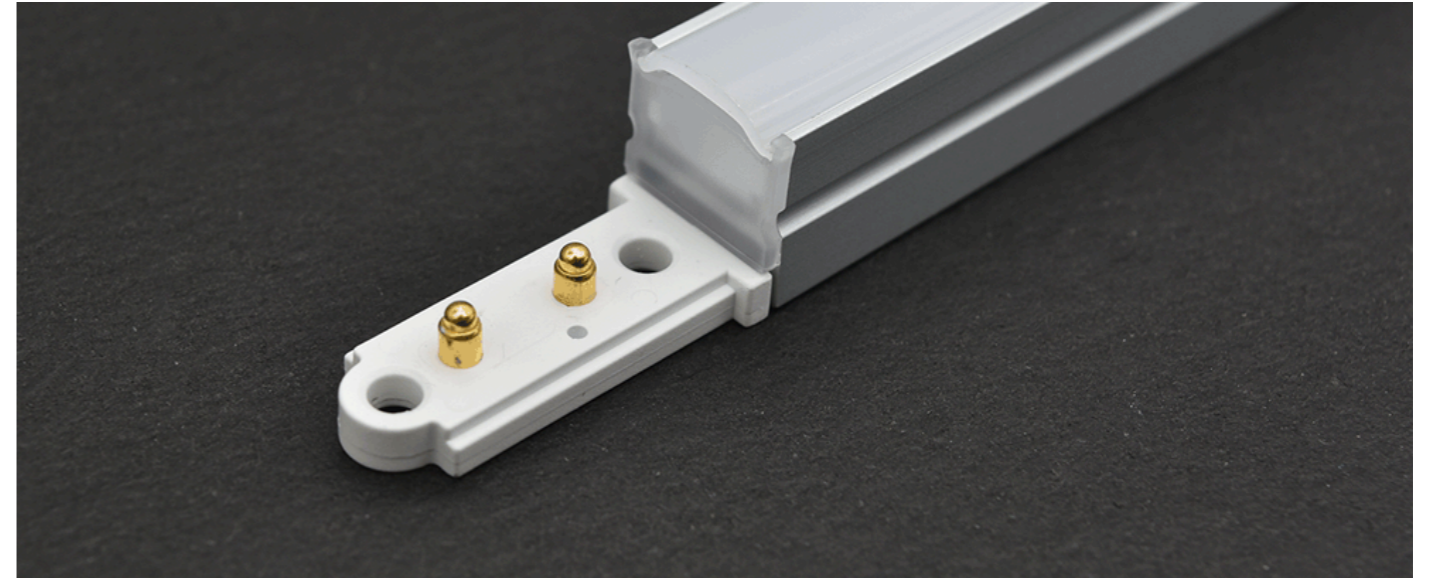
SEAMLESS | SUPERTHIN

PRODUCT SPECIFICATION

RIGID  
STRIP

SEAMLESS | SUPERTHIN

T•LUCE®





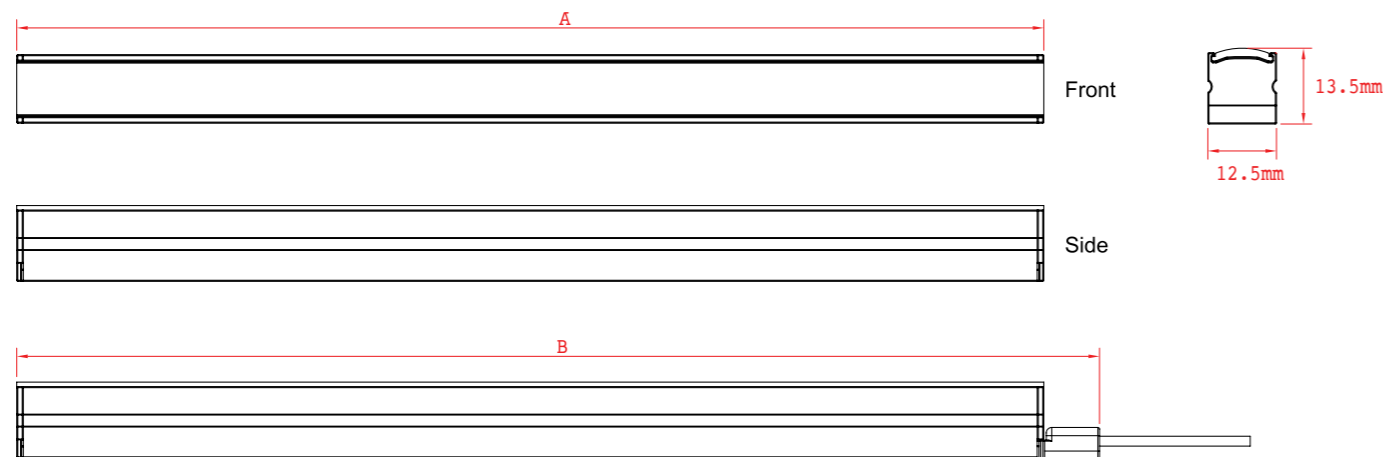
Quick Connection, Slim Profile

RIGID STRIP



- Super thin, Linear modular design;
- Seamless and Tool-free connection;
- Max Connection up to 10mtrs
- Various Lengths and Multiple connections
- Surface or Recessed mounted
- Safe operation at 24VDC

DIMENSIONS



MODELS

Product Code	Fixture Size	A	B
TL-RS1213-01	L100xW12.5xH13.5mm	100mm	110mm
TL-RS1213-02	L192xW12.5xH13.5mm	192mm	202mm
TL-RS1213-03	L285xW12.5xH13.5mm	285mm	295mm
TL-RS1213-05	L565xW12.5xH13.5mm	565mm	575mm
TL-RS1213-08	L845xW12.5xH13.5mm	845mm	855mm
TL-RS1213-11	L1123xW12.5xH13.5mm	1123mm	1133mm



Quick Connection, Slim Profile

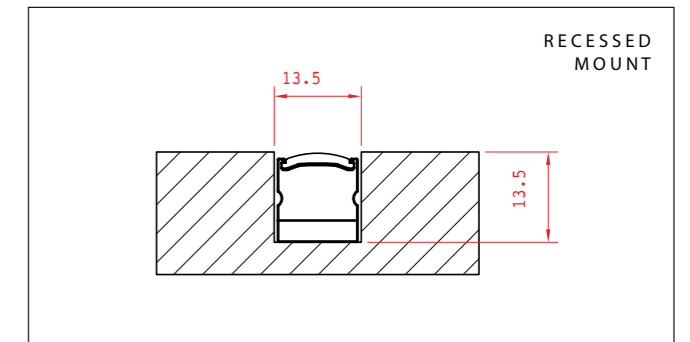
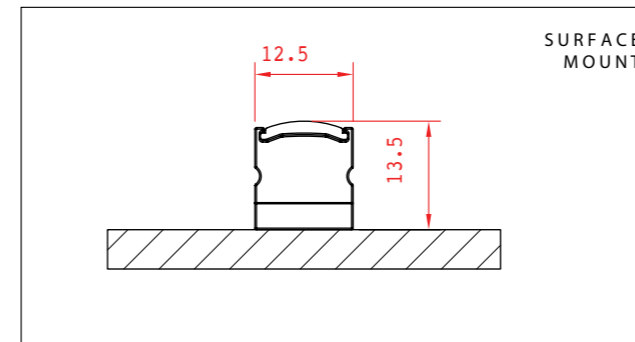
RIGID STRIP

PARAMETERS

Product Code	LED Qty	LED Type	Input	Power±10%	Lumen±10% (4000K)	CCT	Ra
TL-RS1213-01	24pcs	SMD2216	DC24V	1W	65lm	2700K 3000K 3500K 4000K 6000K	Ra>90
TL-RS1213-02	42pcs			2W	130lm		
TL-RS1213-03	66pcs			3W	195lm		
TL-RS1213-05	132pcs			6W	390lm		
TL-RS1213-08	198pcs			9W	380lm		
TL-RS1213-11	264pcs			12W	750lm		

Operation Temperature: -25~45°C , Lifespan: 40000hrs/70% , IP Level: IP20;

INSTALLATION



TOOL-FREE CONNECTION



Quick connection with no soldering.

QUICK & NO DARK DOT



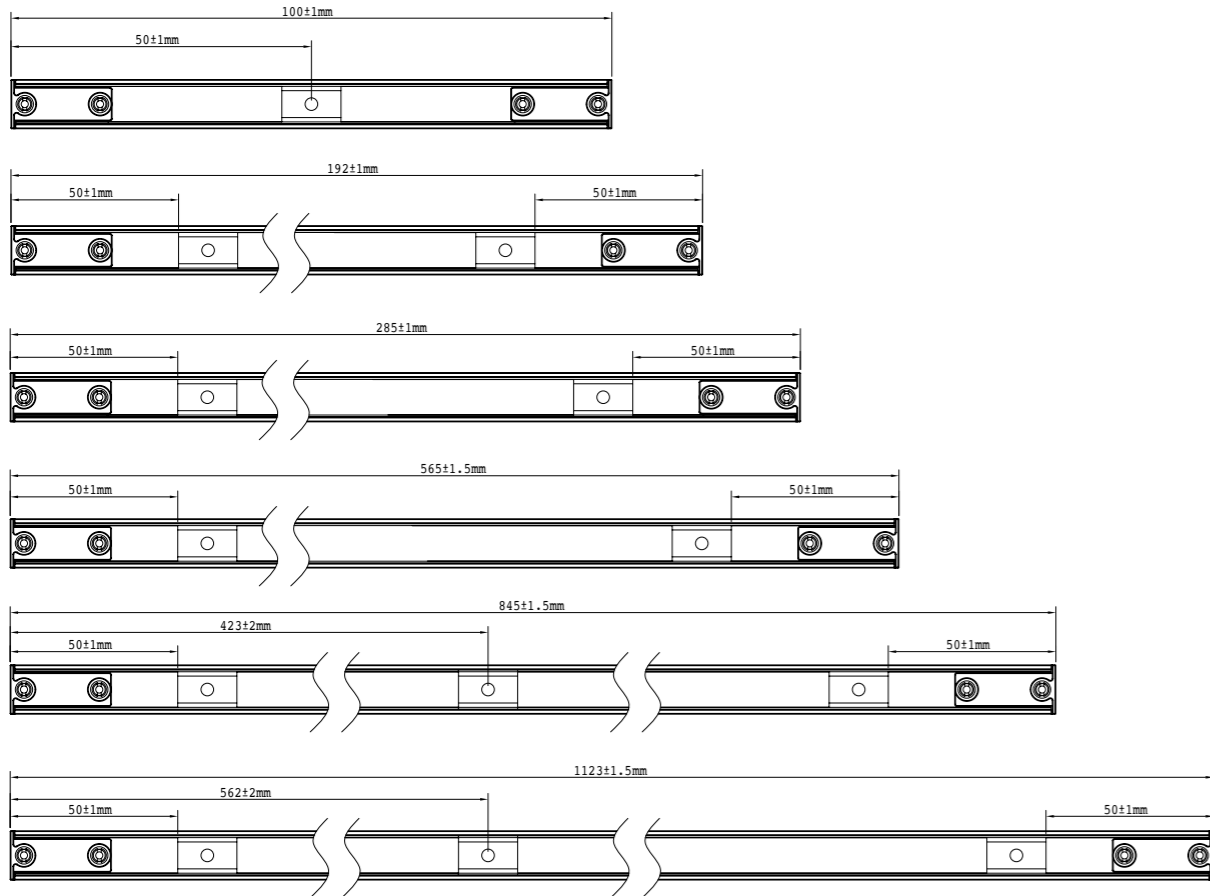
Seamless Connection with no dark dot.



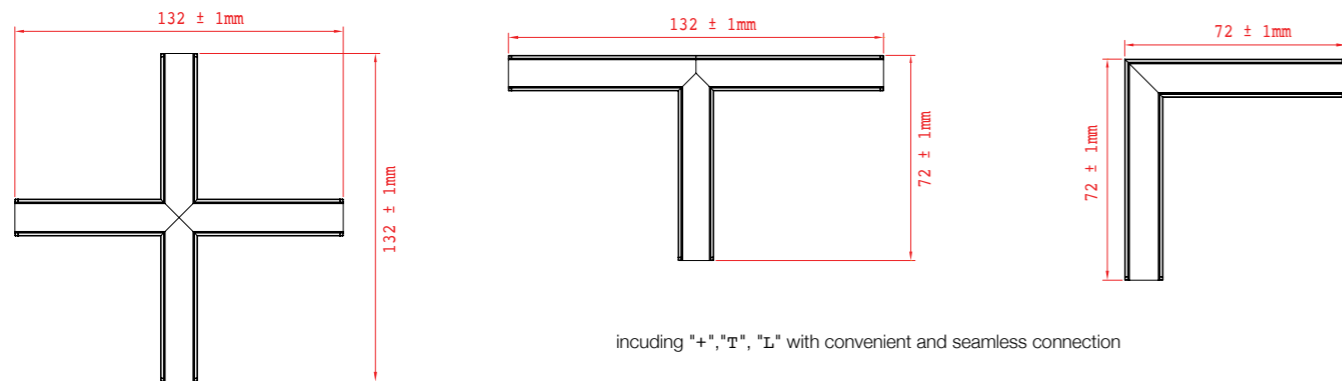
Quick Connection, Slim Profile

RIGID STRIP

SURFACE MOUNT WITH CLIPS OR MAGNETIC BLOCK



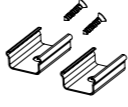
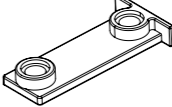
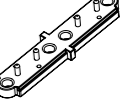
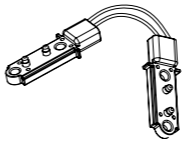
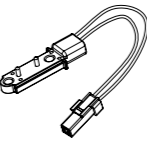
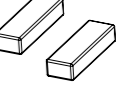
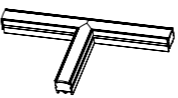
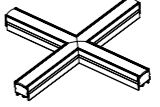

MODULAR CONNECTION ACCESSORIES



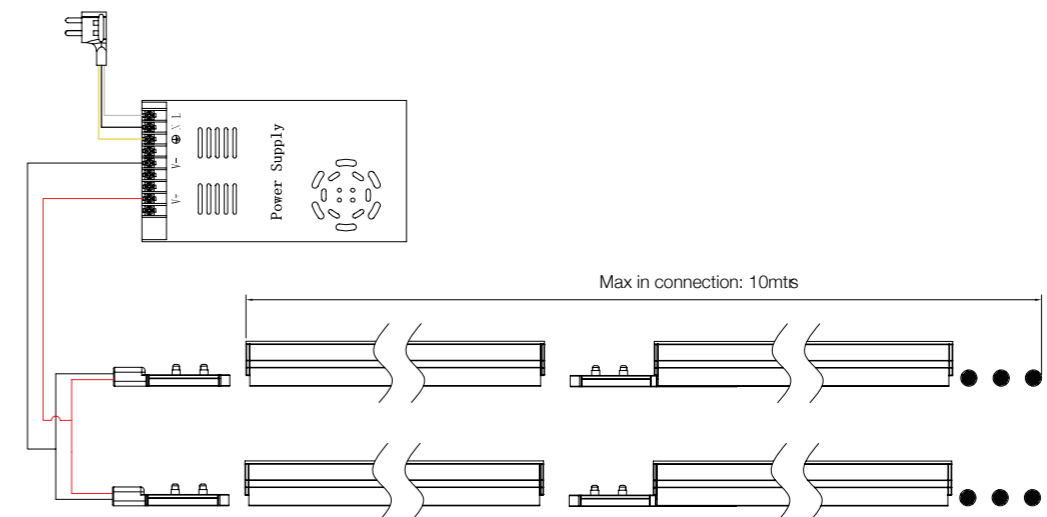
Quick Connection, Slim Profile

RIGID STRIP

CONNECTING ACCESSORIES

 Mount Clips	 End Connection Module	 Connection Module
 Connection module with wire	 Input Module	 Magnetic Block
 T Connection Module	 Connection Module	 L Connection Module

CONNECTION DIAGRAM





LIGHT  
AS AN EXPRESSION  
OF LIFE

## OFFICES

### EUROPE

T-Luce Italia srl  
Viale Giacomo Matteotti 15, Firenze 50121, Italy

europa@t-luce.com  
+39 3281425503

### MIDDLE EAST

Tecno Hub 2, 2nd floor Office 212,  
Dubai, Silicon Oasis (UAE)

middleeast@t-luce.com  
+971 526627708

### ASIA

2263 Pasong Tamo Extension,  
Magallanes, Makati City

asia@t-luce.com  
+632 8893 2403



T-Luce Italia srl  
Viale Giacomo Matteotti 15, Firenze 50121 Italy  
info@t-luce.com  
+39 3281425503